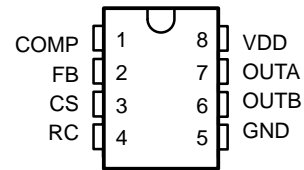


- **Dual Output Drive Stages in Push-Pull Configuration**
- **130- $\mu$ A Typical Starting Current**
- **1-mA Typical Run Current**
- **Operation to 1-MHz**
- **Internal Soft Start**
- **On Chip Error Amplifier With 2-MHz Gain Bandwidth Product**
- **On Chip VDD Clamping**
- **Output Drive Stages Capable Of 500-mA Peak Source Current, 1-A Peak Sink Current**

**D OR N PACKAGE**  
(TOP VIEW)



**PW PACKAGE**  
(TOP VIEW)

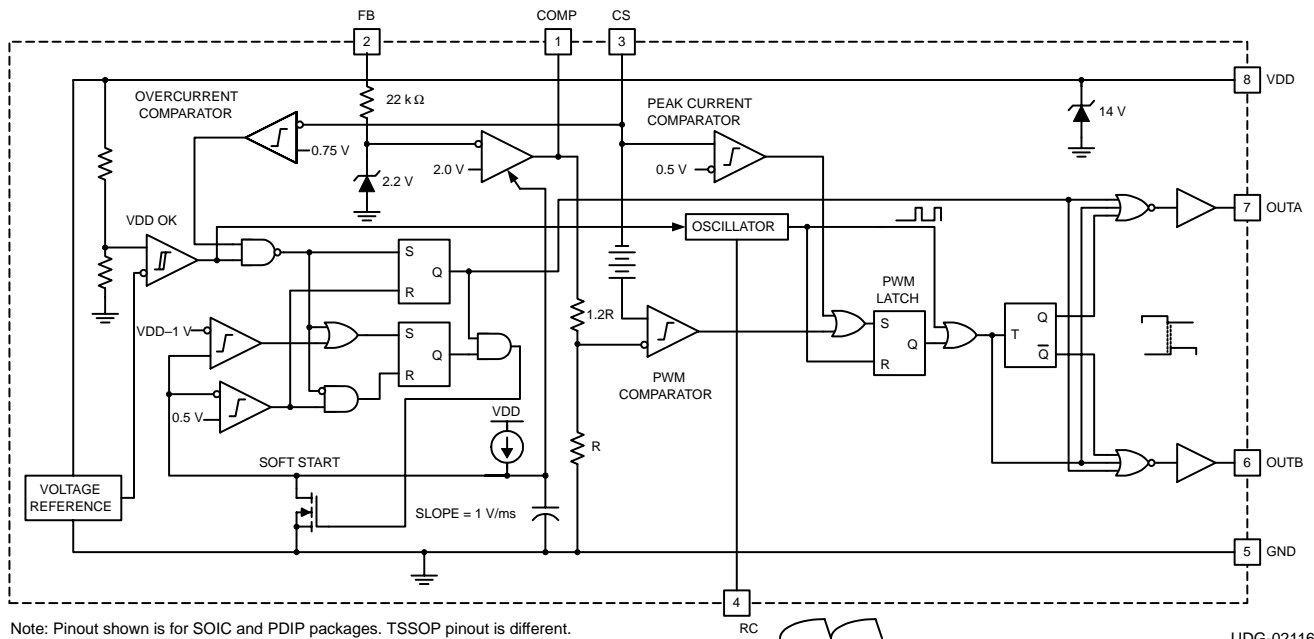


**description**

The UCC3808 is a family of BiCMOS push-pull, high-speed, low-power, pulse-width modulators. The UCC3808 contains all of the control and drive circuitry required for off-line or dc-to-dc fixed frequency current-mode switching power supplies with minimal external parts count.

The UCC3808 dual output drive stages are arranged in a push-pull configuration. Both outputs switch at half the oscillator frequency using a toggle flip-flop. The dead time between the two outputs is typically 60 ns to 200 ns depending on the values of the timing capacitor and resistors, thus limiting each output stage duty cycle to less than 50%. (continued)

**block diagram**



Note: Pinout shown is for SOIC and PDIP packages. TSSOP pinout is different.

UDG-02116



Please be aware that an important notice concerning availability, standard warranty, and use in critical applications of Texas Instruments semiconductor products and disclaimers thereto appears at the end of this data sheet.

PRODUCTION DATA information is current as of publication date. Products conform to specifications per the terms of Texas Instruments standard warranty. Production processing does not necessarily include testing of all parameters.

# UCC2808-1, UCC2808-2, UCC3808-1, UCC3808-2 LOW POWER CURRENT MODE PUSH-PULL PWM

SLUS168D – APRIL 1999 – REVISED AUGUST 2002

## description (continued)

The UCC3808 family offers a variety of package temperature range options, and choice of undervoltage lockout levels. The family has UVLO thresholds and hysteresis options for off-line and battery powered systems. Thresholds are shown in the table below.

Table 1.

| Part Number | Turn on Threshold | Turn off Threshold |
|-------------|-------------------|--------------------|
| UCCx808-1   | 12.5 V            | 8.3 V              |
| UCCx808-2   | 4.3 V             | 4.1 V              |

## ORDERING INFORMATION

| T <sub>A</sub> = T <sub>J</sub> | Packaged Devices |            |            |             |
|---------------------------------|------------------|------------|------------|-------------|
|                                 | UVLO Option      | SOIC (D)   | PDIP (N)   | TSSOP (PW)  |
| -40°C to 85°C                   | 12.5 V/8.3 V     | UCC2808D-1 | UCC2808N-1 | UCC2808PW-1 |
|                                 | 4.3 V/4.1 V      | UCC2808D-2 | UCC2808N-2 | UCC2808PW-2 |
| 0°C to 70°C                     | 12.5 V/8.3 V     | UCC3808D-1 | UCC3808N-1 | UCC3808PW-1 |
|                                 | 4.3 V/4.1 V      | UCC3808D-2 | UCC3808N-2 | UCC3808PW-2 |

† D (SOIC-8) and PW (TSSOP-8) packages are available taped and reeled. Add TR suffix to device type (e.g. UCC3808DTR-1) to order quantities of 2500 devices per reel for SOIC-8 and 2000 devices per reel for TSSOP-8.

## absolute maximum ratings over operating free-air temperature (unless otherwise noted)†

|   |  |
|---|--|
| Supply voltage (IDD ≤ 10 mA)                            | 15 V                                   |
| Supply current  | 20 mA                                  |
| OUTA/OUTB source current (peak)                         | -0.5 A                                 |
| OUTA/OUTB sink current (peak)                           | 1.0 A                                  |
| Analog inputs (FB, CS)                                  | -0.3 V to VDD+0.3 V, not to exceed 6 V |
| Power dissipation at T <sub>A</sub> = 25°C (N Package)  | 1 W                                    |
| Power dissipation at T <sub>A</sub> = 25°C (D Package)  | 650 mW                                 |
| Power dissipation at T <sub>A</sub> = 25°C (PW Package) | 400 mW                                 |
| Storage temperature, T <sub>stg</sub>                   | -65°C to 150°C                         |
| Junction temperature, T <sub>J</sub>                    | -55°C to 150°C                         |
| Lead temperature (soldering, 10 sec.)                   | 300°C                                  |

† Stresses beyond those listed under "absolute maximum ratings" may cause permanent damage to the device. These are stress ratings only, and functional operation of the device at these or any other conditions beyond those indicated under "recommended operating conditions" is not implied. Exposure to absolute-maximum-rated conditions for extended periods may affect device reliability.

‡ Currents are positive into, negative out of the specified terminal. Consult Packaging Section of the *Power Supply Control Data Book (TI Literature Number SLUD003)* for thermal limitations and considerations of packages.

# UCC2808-1, UCC2808-2, UCC3808-1, UCC3808-2 LOW POWER CURRENT MODE PUSH-PULL PWM

SLUS168D – APRIL 1999 – REVISED AUGUST 2002

electrical characteristics,  $T_A = 0^\circ\text{C}$  to  $70^\circ\text{C}$  for the UCC3808-x,  $-40^\circ\text{C}$  to  $85^\circ\text{C}$  for the UCC2808-x and  $-55^\circ\text{C}$  to  $125^\circ\text{C}$  for the UCC1808-x,  $V_{DD} = 10\text{ V}$  (See Note 6),  $1\ \mu\text{F}$  capacitor from VDD to GND,  $R = 22\ \text{k}\Omega$ ,  $C = 330\ \text{pF}$ ,  $T_A = T_J$ , (unless otherwise specified)

## oscillator section

| PARAMETER                | TEST CONDITIONS | MIN  | TYP | MAX  | UNITS |
|--------------------------|-----------------|------|-----|------|-------|
| Oscillator frequency     |                 | 175  | 194 | 213  | kHz   |
| Oscillator amplitude/VDD | See Note 1      | 0.44 | 0.5 | 0.56 | V/V   |

## error amplifier section

| PARAMETER              | TEST CONDITIONS          | MIN  | TYP  | MAX  | UNITS         |
|------------------------|--------------------------|------|------|------|---------------|
| Input voltage          | COMP = 2 V               | 1.95 | 2    | 2.05 | V             |
| Input bias current     |                          | -1   |      | 1    | $\mu\text{A}$ |
| Open loop voltage gain |                          | 60   | 80   |      | dB            |
| COMP sink current      | FB = 2.2 V, COMP = 1 V   | 0.3  | 2.5  |      | mA            |
| COMP source current    | FB = 1.3 V, COMP = 3.5 V | -0.2 | -0.5 |      | mA            |

## PWM section

| PARAMETER          | TEST CONDITIONS          | MIN | TYP | MAX | UNITS |
|--------------------|--------------------------|-----|-----|-----|-------|
| Maximum duty cycle | Measured at OUTA or OUTB | 48% | 49% | 50% |       |
| Minimum duty cycle | COMP = 0 V               |     |     | 0%  |       |

## current sense section

| PARAMETER              | TEST CONDITIONS                   | MIN  | TYP  | MAX  | UNITS |
|------------------------|-----------------------------------|------|------|------|-------|
| Gain                   | See Note 2                        | 1.9  | 2.2  | 2.5  | V/V   |
| Maximum input signal   | COMP = 5 V, See Note 3            | 0.45 | 0.5  | 0.55 | V     |
| CS to output delay     | COMP = 3.5 V, CS from 0 to 600 mV |      | 100  | 200  | ns    |
| CS source current      |                                   | -200 |      |      | nA    |
| Over current threshold |                                   | 0.7  | 0.75 | 0.8  | V     |
| COMP to CS offset      | CS = 0 V                          | 0.35 | 0.8  | 1.2  | V     |

NOTES: 1. Measured at RC. Signal amplitude tracks VDD.

2. Gain is defined by:  $A = \frac{\Delta V_{\text{COMP}}}{\Delta V_{\text{CS}}}$ ,  $0 \leq V_{\text{CS}} \leq 0.4\text{ V}$ ,

3. Parameter measured at trip point of latch with FB at 0V.

4. Start threshold and zener shunt threshold track one another.

5. For UCCx808-1, set VDD above the start threshold before setting at 10 V.

6. Does not include current in the external oscillator network.

# UCC2808-1, UCC2808-2, UCC3808-1, UCC3808-2 LOW POWER CURRENT MODE PUSH-PULL PWM

SLUS168D – APRIL 1999 – REVISED AUGUST 2002

electrical characteristics,  $T_A = 0^\circ\text{C}$  to  $70^\circ\text{C}$  for the UCC3808-x,  $-40^\circ\text{C}$  to  $85^\circ\text{C}$  for the UCC2808-x and  $-55^\circ\text{C}$  to  $125^\circ\text{C}$  for the UCC1808-x,  $V_{DD} = 10\text{ V}$  (See Note 6),  $1\ \mu\text{F}$  capacitor from VDD to GND,  $R = 22\ \text{k}\Omega$ ,  $C = 330\ \text{pF}$ ,  $T_A = T_J$ , (unless otherwise specified)

## output section

| PARAMETER      | TEST CONDITIONS                              | MIN | TYP | MAX | UNITS |
|----------------|--|-----|-----|-----|-------|
| OUT low level  | $I = 100\ \text{mA}$                         |     | 0.5 | 1   | V     |
| OUT high level | $I = -50\ \text{mA}$ , $V_{DD} - \text{OUT}$ |     | 0.5 | 1   | V     |
| Rise time      | $C_L = 1\ \text{nF}$                         |     | 25  | 60  | ns    |
| Fall time      | $C_L = 1\ \text{nF}$                         |     | 25  | 60  | ns    |

## undervoltage lockout section

| PARAMETER                             | TEST CONDITIONS       | MIN  | TYP  | MAX  | UNITS |
|---------------------------------------|-----------------------|------|------|------|-------|
| Start threshold                       | UCCx808-1, See Note 6 | 11.5 | 12.5 | 13.5 | V     |
|                                       | UCCx808-2             | 4.1  | 4.3  | 4.5  | V     |
| Minimum operating voltage after start | UCCx808-1             | 7.6  | 8.3  | 9    | V     |
|                                       | UCCx808-2             | 3.9  | 4.1  | 4.3  | V     |
| Hysteresis                            | UCCx808-1             | 3.5  | 4.2  | 5.1  | V     |
|                                       | UCCx808-2             | 0.1  | 0.2  | 0.3  | V     |

## soft start section

| PARAMETER      | TEST CONDITIONS                               | MIN | TYP | MAX | UNITS |
|----------------|---|-----|-----|-----|-------|
| COMP rise time | $FB = 1.8\ \text{V}$ , rise from 0.5 V to 4 V |     | 3.5 | 20  | ms    |

## overall section

| PARAMETER                | TEST CONDITIONS  | MIN | TYP | MAX | UNITS         |
|--------------------------|--|-----|-----|-----|---------------|
| Startup current          | $V_{DD} < \text{start threshold}$                          |     | 130 | 260 | $\mu\text{A}$ |
| Operating supply current | $FB = 0\ \text{V}$ , $CS = 0\ \text{V}$ , See Note 5 and 6 |     | 1   | 2   | mA            |
| VDD zener shunt voltage  | $I_{DD} = 10\ \text{mA}$ , See Note 4                      | 13  | 14  | 15  | V             |

NOTES: 1. Measured at RC. Signal amplitude tracks VDD.

2. Gain is defined by:  $A = \frac{\Delta V_{\text{COMP}}}{\Delta V_{\text{CS}}}$ ,  $0 \leq V_{\text{CS}} \leq 0.4\ \text{V}$ ,

3. Parameter measured at trip point of latch with FB at 0V.

4. Start threshold and zener shunt threshold track one another.

5. For UCCx808-1, set VDD above the start threshold before setting at 10 V.

6. Does not include current in the external oscillator network.

## pin descriptions

**COMP:** COMP is the output of the error amplifier and the input of the PWM comparator. The error amplifier in the UCC3808 is a true low-output impedance, 2-MHz operational amplifier. As such, the COMP pin can both source and sink current. However, the error amplifier is internally current limited, so that zero duty cycle can be externally forced by pulling COMP to GND.

The UCC3808 family features built-in full cycle soft start. Soft start is implemented as a clamp on the maximum COMP voltage.

**CS:** The input to the PWM, peak current, and overcurrent comparators. The overcurrent comparator is only intended for fault sensing. Exceeding the overcurrent threshold will cause a soft start cycle.

**FB:** The inverting input to the error amplifier. For best stability, keep FB lead length as short as possible and FB stray capacitance as small as possible.

**GND:** Reference ground and power ground for all functions. Due to high currents, and high frequency operation of the UCC3808, a low impedance circuit board ground plane is highly recommended.

**OUTA and OUTB:** Alternating high current output stages. Both stages are capable of driving the gate of a power MOSFET. Each stage is capable of 500-mA peak source current, and 1-A peak sink current.

The output stages switch at half the oscillator frequency, in a push/pull configuration. When the voltage on the RC pin is rising, one of the two outputs is high, but during fall time, both outputs are off. This dead time between the two outputs, along with a slower output rise time than fall time, insures that the two outputs can not be on at the same time. This dead time is typically 60 ns to 200 ns and depends upon the values of the timing capacitor and resistor.

The high-current output drivers consist of MOSFET output devices, which switch from VDD to GND. Each output stage also provides a very low impedance to overshoot and undershoot. This means that in many cases, external schottky clamp diodes are not required.

**RC:** The oscillator programming pin. The UCC3808's oscillator tracks VDD and GND internally, so that variations in power supply rails minimally affect frequency stability. Figure 1 shows the oscillator block diagram.

Only two components are required to program the oscillator: a resistor (tied to the VDD and RC), and a capacitor (tied to the RC and GND). The approximate oscillator frequency is determined by the simple formula:

$$f_{\text{OSCILLATOR}} = \frac{1.41}{RC}$$

where frequency is in hertz, resistance in ohms, and capacitance in farads. The recommended range of timing resistors is between 10 k $\Omega$  and 200 k $\Omega$  and range of timing capacitors is between 100 pF and 1000 pF. Timing resistors less than 10 k $\Omega$  should be avoided.

For best performance, keep the timing capacitor lead to GND as short as possible, the timing resistor lead from VDD as short as possible, and the leads between timing components and RC as short as possible. Separate ground and VDD traces to the external timing network are encouraged.

**VDD:** The power input connection for this device. Although quiescent VDD current is very low, total supply current will be higher, depending on OUTA and OUTB current, and the programmed oscillator frequency. Total VDD current is the sum of quiescent VDD current and the average OUT current. Knowing the operating frequency and the MOSFET gate charge (Qg), average OUT current can be calculated from:

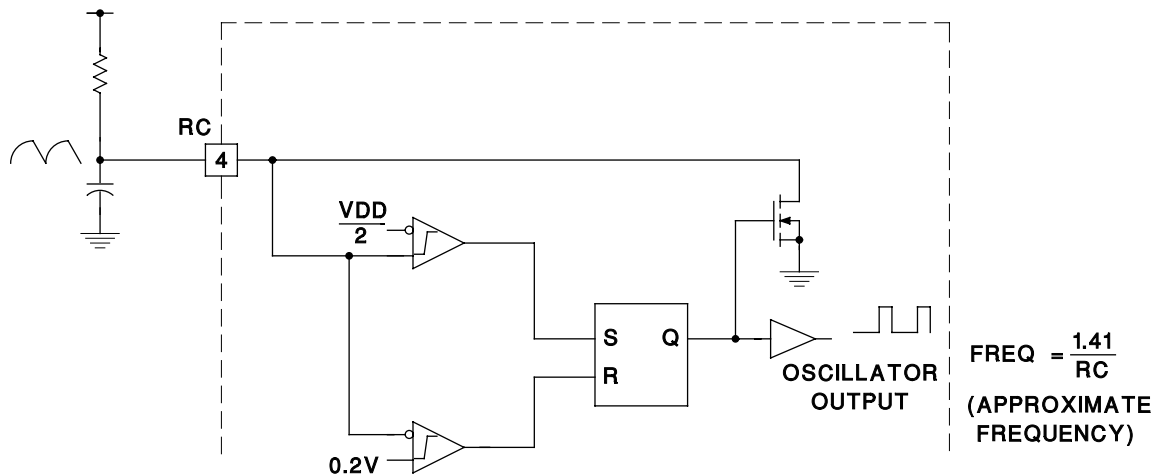
$$I_{\text{OUT}} = Q_g \times F, \text{ where } F \text{ is frequency}$$

To prevent noise problems, bypass VDD to GND with a ceramic capacitor as close to the chip as possible along with an electrolytic capacitor. A 1- $\mu$ F decoupling capacitor is recommended.

# UCC2808-1, UCC2808-2, UCC3808-1, UCC3808-2 LOW POWER CURRENT MODE PUSH-PULL PWM

SLUS168D – APRIL 1999 – REVISED AUGUST 2002

## pin descriptions (continued)



UDG-97009

NOTE: The oscillator generates a sawtooth waveform on RC. During the RC rise time, the output stages alternate on time, but both stages are off during the RC fall time. The output stages switch a 1/2 the oscillator frequency, with guaranteed duty cycle of < 50% for both outputs.

Figure 1. Block Diagram for Oscillator

## APPLICATION INFORMATION

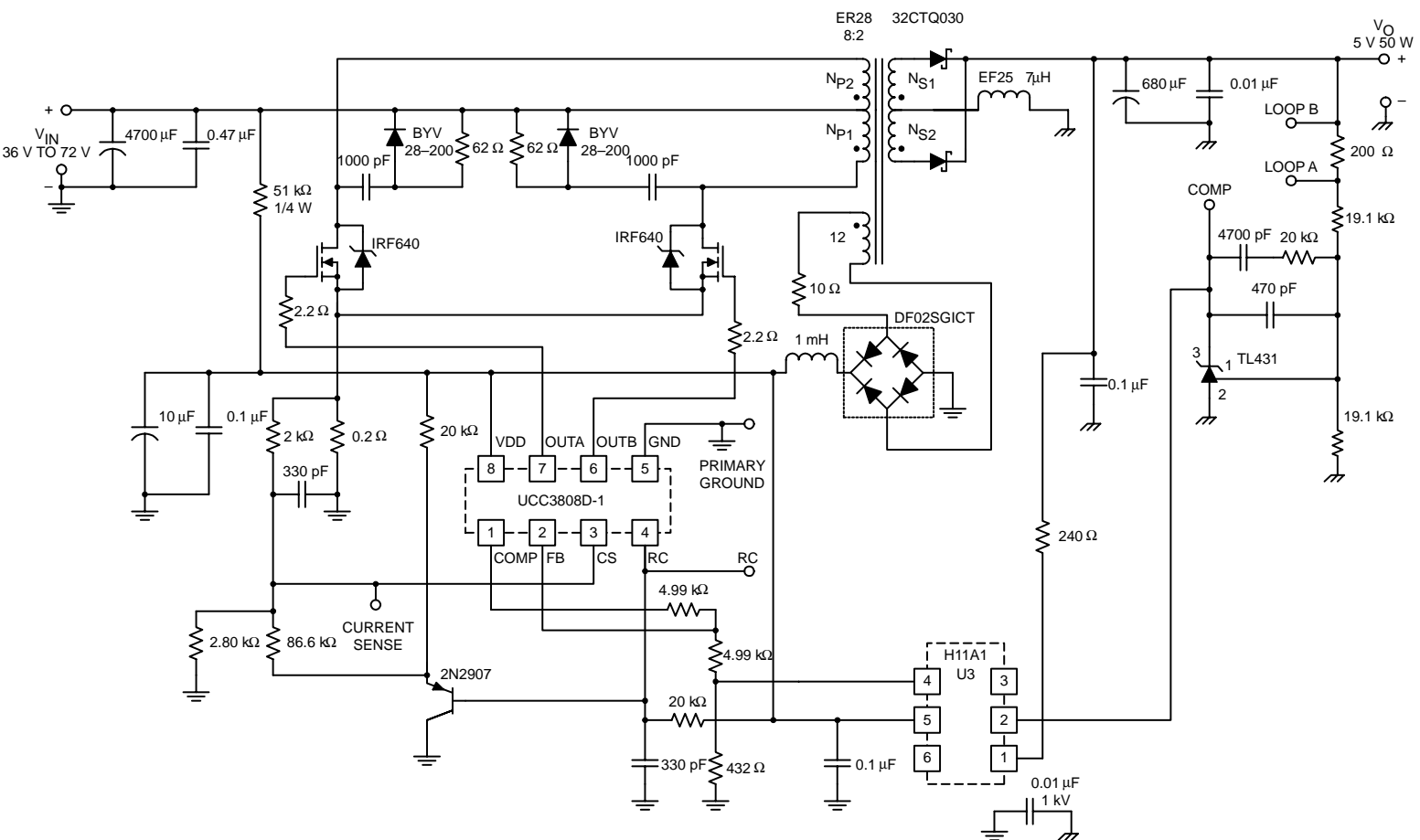
A 200-kHz push-pull application circuit with a full wave rectifier is shown in Figure 2. The output,  $V_O$ , provides 5 V at 75 W maximum and is electrically isolated from the input. Since the UCC3808 is a peak current mode controller the 2N2222A emitter following amplifier (buffers the CT waveform) provides slope compensation which is necessary for duty ratios greater than 50%. Capacitor decoupling is very important with a single ground IC controller, and a 1  $\mu$ F is suggested as close to the IC as possible. The controller supply is a series RC for start-up, paralleled with a bias winding on the output inductor used in steady state operation.

Isolation is provided by an optocoupler with regulation done on the secondary side using the UC3965 Precision Reference with Low Offset Error Amplifier. Small signal compensation with tight voltage regulation is achieved using this part on the secondary side. Many choices exist for the output inductor depending on cost, volume, and mechanical strength. Several design options are iron powder, molypermalloy (MPP), or a ferrite core with an air gap as shown here. The main power transformer is a low profile design, EFD size 25, using Magnetics Inc. P material which is a good choice at this frequency and temperature. The input voltage may range from 36 V dc to 72 V dc.

# UCC2808-1, UCC2808-2, UCC3808-1, UCC3808-2 LOW POWER CURRENT MODE PUSH-PULL PWM

## APPLICATION INFORMATION

SLUS168D – APRIL 1999 – REVISED AUGUST 2002



UDG-00142

Figure 2. Typical Application Diagram: 48-V In, 5-V, 50-W Output

# UCC2808-1, UCC2808-2, UCC3808-1, UCC3808-2 LOW POWER CURRENT MODE PUSH-PULL PWM

SLUS168D – APRIL 1999 – REVISED AUGUST 2002

## APPLICATION INFORMATION

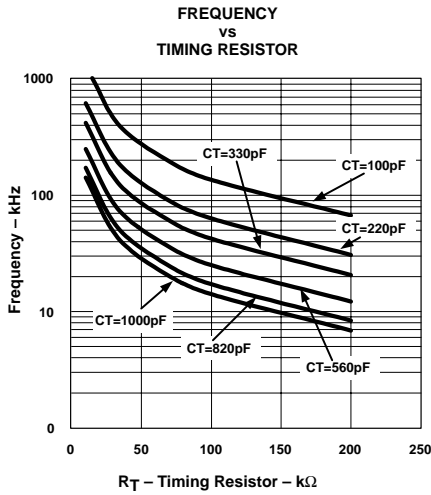


Figure 3

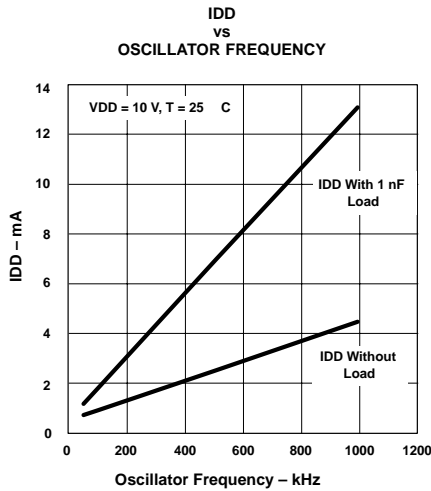


Figure 4

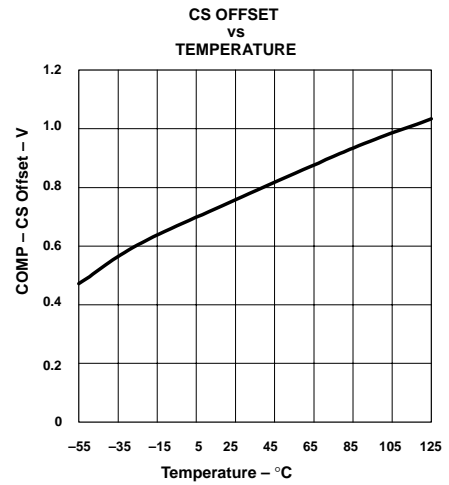


Figure 5

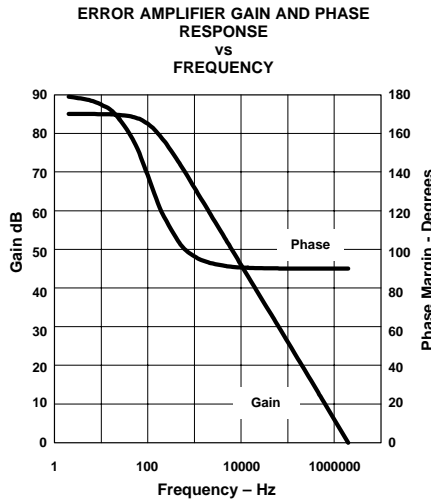


Figure 6

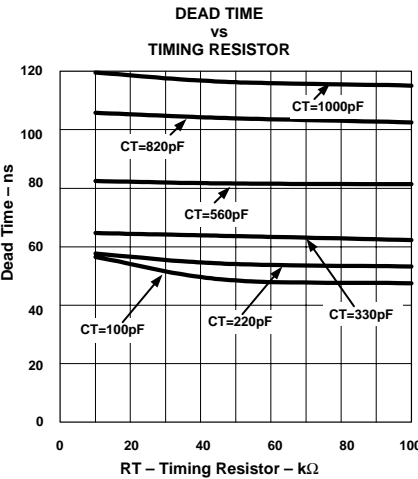


Figure 7



**PACKAGING INFORMATION**

| Orderable Device | Status <sup>(1)</sup> | Package Type | Package Drawing | Pins | Package Qty | Eco Plan <sup>(2)</sup> | Lead/Ball Finish | MSL Peak Temp <sup>(3)</sup> |
|------------------|-----------------------|--------------|-----------------|------|-------------|-------------------------|------------------|------------------------------|
| HPA00002DTR      | ACTIVE                | SOIC         | D               | 8    |             | None                    | CU NIPDAU        | Level-1-220C-UNLIM           |
| UCC2808D-1       | ACTIVE                | SOIC         | D               | 8    | 75          | None                    | CU NIPDAU        | Level-1-220C-UNLIM           |
| UCC2808D-2       | ACTIVE                | SOIC         | D               | 8    | 75          | None                    | CU NIPDAU        | Level-1-220C-UNLIM           |
| UCC2808DTR-1     | ACTIVE                | SOIC         | D               | 8    | 2500        | None                    | CU NIPDAU        | Level-1-220C-UNLIM           |
| UCC2808DTR-2     | ACTIVE                | SOIC         | D               | 8    | 2500        | None                    | CU NIPDAU        | Level-1-220C-UNLIM           |
| UCC2808DTR-2/1G4 | PREVIEW               | SOIC         | D               | 8    | 2500        | None                    | Call TI          | Call TI                      |
| UCC2808DTR-2G4   | PREVIEW               | SOIC         | D               | 8    | 2500        | None                    | Call TI          | Call TI                      |
| UCC2808N-1       | ACTIVE                | PDIP         | P               | 8    | 50          | Pb-Free (RoHS)          | CU NIPDAU        | Level-NC-NC-NC               |
| UCC2808N-2       | ACTIVE                | PDIP         | P               | 8    | 50          | Pb-Free (RoHS)          | CU NIPDAU        | Level-NC-NC-NC               |
| UCC2808N-2G4     | ACTIVE                | PDIP         | P               | 8    | 50          | None                    | Call TI          | Call TI                      |
| UCC3808D-1       | ACTIVE                | SOIC         | D               | 8    | 75          | None                    | CU NIPDAU        | Level-1-220C-UNLIM           |
| UCC3808D-2       | ACTIVE                | SOIC         | D               | 8    | 75          | None                    | CU NIPDAU        | Level-1-220C-UNLIM           |
| UCC3808DTR-1     | ACTIVE                | SOIC         | D               | 8    | 2500        | None                    | CU NIPDAU        | Level-1-220C-UNLIM           |
| UCC3808DTR-2     | ACTIVE                | SOIC         | D               | 8    | 2500        | None                    | CU NIPDAU        | Level-1-220C-UNLIM           |
| UCC3808N-1       | ACTIVE                | PDIP         | P               | 8    | 50          | Pb-Free (RoHS)          | CU NIPDAU        | Level-NC-NC-NC               |
| UCC3808N-2       | ACTIVE                | PDIP         | P               | 8    | 50          | Pb-Free (RoHS)          | CU NIPDAU        | Level-NC-NC-NC               |

<sup>(1)</sup> The marketing status values are defined as follows:

**ACTIVE:** Product device recommended for new designs.

**LIFEBUY:** TI has announced that the device will be discontinued, and a lifetime-buy period is in effect.

**NRND:** Not recommended for new designs. Device is in production to support existing customers, but TI does not recommend using this part in a new design.

**PREVIEW:** Device has been announced but is not in production. Samples may or may not be available.

**OBSELETE:** TI has discontinued the production of the device.

<sup>(2)</sup> Eco Plan - May not be currently available - please check <http://www.ti.com/productcontent> for the latest availability information and additional product content details.

**None:** Not yet available Lead (Pb-Free).

**Pb-Free (RoHS):** TI's terms "Lead-Free" or "Pb-Free" mean semiconductor products that are compatible with the current RoHS requirements for all 6 substances, including the requirement that lead not exceed 0.1% by weight in homogeneous materials. Where designed to be soldered at high temperatures, TI Pb-Free products are suitable for use in specified lead-free processes.

**Green (RoHS & no Sb/Br):** TI defines "Green" to mean "Pb-Free" and in addition, uses package materials that do not contain halogens, including bromine (Br) or antimony (Sb) above 0.1% of total product weight.

<sup>(3)</sup> MSL, Peak Temp. -- The Moisture Sensitivity Level rating according to the JEDEC industry standard classifications, and peak solder temperature.

**Important Information and Disclaimer:** The information provided on this page represents TI's knowledge and belief as of the date that it is provided. TI bases its knowledge and belief on information provided by third parties, and makes no representation or warranty as to the accuracy of such information. Efforts are underway to better integrate information from third parties. TI has taken and continues to take reasonable steps to provide representative and accurate information but may not have conducted destructive testing or chemical analysis on incoming materials and chemicals. TI and TI suppliers consider certain information to be proprietary, and thus CAS numbers and other limited information may not be available for release.

In no event shall TI's liability arising out of such information exceed the total purchase price of the TI part(s) at issue in this document sold by TI to Customer on an annual basis.

## IMPORTANT NOTICE

Texas Instruments Incorporated and its subsidiaries (TI) reserve the right to make corrections, modifications, enhancements, improvements, and other changes to its products and services at any time and to discontinue any product or service without notice. Customers should obtain the latest relevant information before placing orders and should verify that such information is current and complete. All products are sold subject to TI's terms and conditions of sale supplied at the time of order acknowledgment.

TI warrants performance of its hardware products to the specifications applicable at the time of sale in accordance with TI's standard warranty. Testing and other quality control techniques are used to the extent TI deems necessary to support this warranty. Except where mandated by government requirements, testing of all parameters of each product is not necessarily performed.

TI assumes no liability for applications assistance or customer product design. Customers are responsible for their products and applications using TI components. To minimize the risks associated with customer products and applications, customers should provide adequate design and operating safeguards.

TI does not warrant or represent that any license, either express or implied, is granted under any TI patent right, copyright, mask work right, or other TI intellectual property right relating to any combination, machine, or process in which TI products or services are used. Information published by TI regarding third-party products or services does not constitute a license from TI to use such products or services or a warranty or endorsement thereof. Use of such information may require a license from a third party under the patents or other intellectual property of the third party, or a license from TI under the patents or other intellectual property of TI.

Reproduction of information in TI data books or data sheets is permissible only if reproduction is without alteration and is accompanied by all associated warranties, conditions, limitations, and notices. Reproduction of this information with alteration is an unfair and deceptive business practice. TI is not responsible or liable for such altered documentation.

Resale of TI products or services with statements different from or beyond the parameters stated by TI for that product or service voids all express and any implied warranties for the associated TI product or service and is an unfair and deceptive business practice. TI is not responsible or liable for any such statements.

Following are URLs where you can obtain information on other Texas Instruments products and application solutions:

| <b>Products</b>  |  | <b>Applications</b> |  |
|------------------|--|---------------------|--|
| Amplifiers       | <a href="http://amplifier.ti.com">amplifier.ti.com</a>             | Audio               | <a href="http://www.ti.com/audio">www.ti.com/audio</a>                   |
| Data Converters  | <a href="http://dataconverter.ti.com">dataconverter.ti.com</a>     | Automotive          | <a href="http://www.ti.com/automotive">www.ti.com/automotive</a>         |
| DSP              | <a href="http://dsp.ti.com">dsp.ti.com</a>                         | Broadband           | <a href="http://www.ti.com/broadband">www.ti.com/broadband</a>           |
| Interface        | <a href="http://interface.ti.com">interface.ti.com</a>             | Digital Control     | <a href="http://www.ti.com/digitalcontrol">www.ti.com/digitalcontrol</a> |
| Logic            | <a href="http://logic.ti.com">logic.ti.com</a>                     | Military            | <a href="http://www.ti.com/military">www.ti.com/military</a>             |
| Power Mgmt       | <a href="http://power.ti.com">power.ti.com</a>                     | Optical Networking  | <a href="http://www.ti.com/opticalnetwork">www.ti.com/opticalnetwork</a> |
| Microcontrollers | <a href="http://microcontroller.ti.com">microcontroller.ti.com</a> | Security            | <a href="http://www.ti.com/security">www.ti.com/security</a>             |
|                  |  | Telephony           | <a href="http://www.ti.com/telephony">www.ti.com/telephony</a>           |
|                  |  | Video & Imaging     | <a href="http://www.ti.com/video">www.ti.com/video</a>                   |
|                  |  | Wireless            | <a href="http://www.ti.com/wireless">www.ti.com/wireless</a>             |

Mailing Address: Texas Instruments  
Post Office Box 655303 Dallas, Texas 75265